

WBM 1350-II

Chamber Belt Machine

Ideal for any Size Operation



WBM 1350-II

Clearly Advantageous: The Chamber Belt Machine





Highly versatile

Flexibility is key when vacuum packaging food and non-food products.

Our vacuum chamber packaging machine is highly versatile and handles a wide variety of product sizes and shapes. Vacuum packaging not only results in a nice retail appearance, but also improves your profitability.

Our Chamber Belt Machine WBM 1350-II is the ideal solution for any size production plant where a broad range of products are being packaged under vacuum. No matter what you're packaging, you can count on perfect side seal seams when using our WBM 1350-II. And, it's an ideal tool for those wanting to package various products at the same time.

The result: high-performance, continuous operation with one multi-purpose machine.



The WBM 1350-II: One machine serves multiple uses.



Inline or stand-alone vacuum packaging.

More capacity, more flexibility, more security. Our automatic Chamber Belt Machine WBM 1350-II is engineered to the highest quality standards, including corrosion resistant materials, a rapid final vacuum, high sealing pressure, strong performance and an especially spacious chamber.

Highlights of the new machine version:

- The TCH-II sealing system regulates the sealing temperature for precise, absolute sealing strength. Overheating is avoided due to the machine's precise temperature control mechanism.
- No cooling water required.
- The bi-active sealing system works with both the top and bottom seal bars. Extra wide-belt 12 mm sealing wires as well as an extreme sealing pressure guarantees the strongest seals/seams. In addition, the high pressure forces wrinkles and contaminants out of the sealing area.

This is why our WBM 1350-II clearly offers more advantages over standard models. There is no better partner for your shrink bag and vacuum packaging applications (e.g., meat and poultry, cheese, fish and non-food products).

Well-regulated, easy to operate

This high-capacity machine features user-friendly controls so any operator can comfortably manage operation. The integrated PLC stores up to 100 product programs, including settings for conveyor belt speed, sealing temperature, cool down time, and interval cycles, etc.

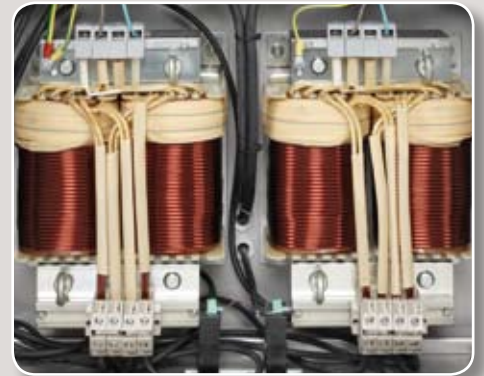
Supervisory control is also included for secure, smooth production with no downtime. An optional communication module is also available. With this feature, WEBOMATIC provides long-distance error diagnosis support, information exchange and preventive maintenance.



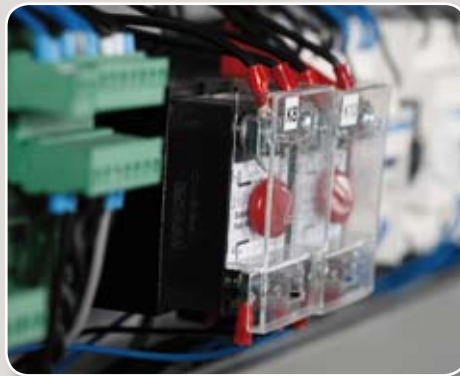
It's All in the Detail



Secure seals: Our intelligent Thermo Controlled Heat Sealing System (TCH-II) guarantees secure sealing results. Optimum sealing temperatures are reached through constant and precise control. Overheating of the seal bars and the packaging material is avoided due to the precise temperature regulation. Sealing parameters for the TCH-II and reliable bi-active sealing can be adjusted according to the packaging material.



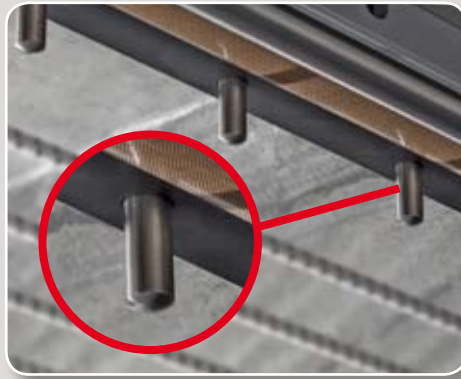
Powerful performance: Two temperature-controlled sealing transformers supply the exact energy required. The transformers provide the right and left sealing side separately and can be individually switched on or off. The powerful converters supply the necessary capacity for the TCH-II system as required.



Reliable brand parts: All of WEBOMATIC's machines are equipped with exclusive, brand name quality constructed parts from well-known manufacturers like Bürkert, Busch, Festo, and Mitsubishi for reliable quality. Worldwide access to replacement parts also reduces downtime.

Easy operation: The full-colour, user-friendly touch screen control gives operators access to machine operation and product programs. By simply touching icons, parameters can be changed within seconds. Security relevant messages are displayed.





Waste handling: An optional trim removal and collection system rounds out our vacuum chamber packaging machine. It features an automatic cutting system that trims the excess material while the product is held tightly in place (via flexible expanders and spring powered pins) and then disposes the material into a 120-liter stainless steel container.

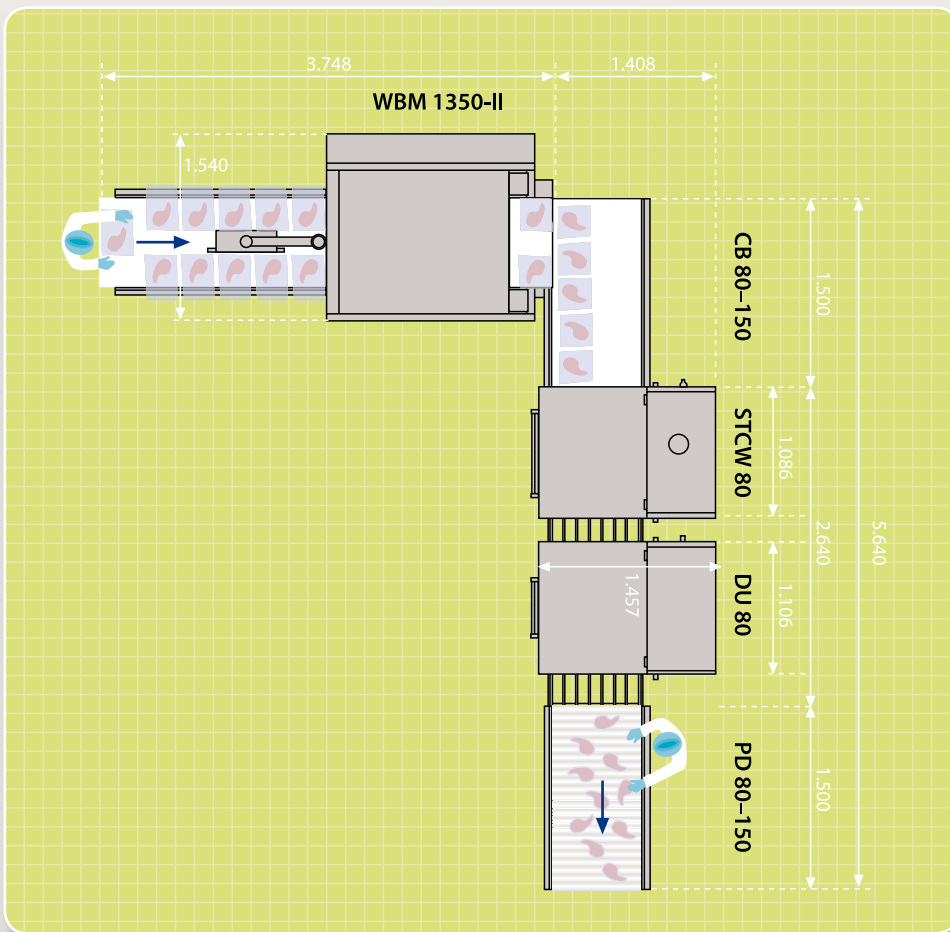


Solid construction: Hardened stainless steel shafts and ball bearings result in an absolute zero clearance lid guide of the chamber along with solid construction for a long life.

Conveyor belt loosens with the push of a button: When it comes time for sanitation, operators can gain full access to the conveyor belt and machine's decking with the push of a button.



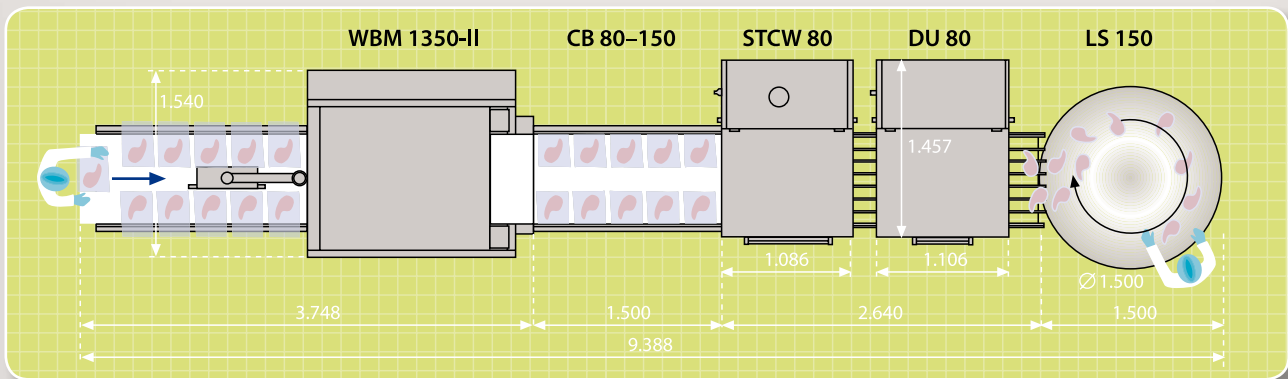
Inline Efficiency: WBM 1350-II Shrink Line



Compatible with any production line: Our high-capacity WBM 1350-II is the ideal packaging machine for any shrink packaging application. Designed for flexibility, the WBM 1350-II completes any shrink packaging line, featuring our Shrink Tunnel STCW, Dryer DU, variable Conveyor Belts CB, Product Depot PD or Turntable LS.

It is also possible to integrate the chamber belt machine and other shrink line components into your production flow and to adjust the machines to the level of desired production. Based on your production requirements, our shrink line can also be designed for those layouts that require a 90° angle.

Completely adaptable: All WEBOMATIC components are designed to work in any packaging set-up, regardless of the layout or interfaces in your operation. Synergy is the key to any operation. We've addressed this through the use of one central control for your entire packaging line-up. The result: Perfectly shrink-wrapped packages that feature a durable seal, then gently dried for weighing, labelling and boxing ...



Above: Inline shrink packaging, featuring our Chamber Belt Machine WBM 1350-II, Conveyor Belt CB 80, Shrink Tunnel STCW 80-L, Dryer DU 80-L and Turntable LS 150.

At Left: Product guide in 90° angle, featuring our Chamber Belt Machine WBM 1350-II, Conveyor Belt CB, Shrink Tunnel STCW, Dryer DU and Product Depot PD. Also available with a right-angled installation are smaller units with 60 cm wide conveyor belts.



WBM 1350-II

Chamber Belt Machine

Technical Data

Drive:	Stainless steel drum motor, 0.63 or 1.0 m/s (depending on the requirement), IP 67
Control:	PLC Mitsubishi FX (with optional remote diagnosis)
Touch screen:	12" full-colour touch screen, high resolution, IP 67
External dimensions:	3,748 x 1,540 x 2,400 mm (W x D x H)
Chamber dimensions:	1,400 x 1,050 x 250 (W x D x H)
Weight:	2,200 kg
Seal bar length:	1,350 mm each side
Cooling water:	not needed
Max. product length:	750 mm
Max. product height:	250 mm
Electric:	400 V, 50 cy, 3 Ph, N, PE, capacity 11 kW
Fuse:	3 x 35 Amp.
Compressed air:	performance pressure min. 6 bar, approx. 250 NI/min., max. degree of humidity 7 g/m ³
Packaging capacity:	up to 3 cycles/min., depending on the desired vacuum value, installed pump capacity and product handling
Options:	
Roots vacuum pump:	Busch Panda WV 1500 B, nom. capacity 1,500 m ³ /h or Busch Pump WP 1250 D2, nom. capacity up to 2,000 m ³ /h (performance increase kit [up to approx. 3 cycles/min.], sensor and frequency controlled)
Vacuum pump:	Busch Duplex VR 632 A (2 x R0302/305 D), nom. capacity 600 m ³ /h or Busch Triplex VR 1002 A (3 x R0302/305 D), nom. capacity 900 m ³ /h (pumps including gas ballast valve, soft starting, completely installed on rack)
Trim removal system:	Cutting system with stainless steel knives for waste material Clamp system for holding the bag in place during the sealing and cutting process High-capacity stainless steel exhaust blower with detergent-resistant silicone hoses Stainless steel 120-liter collection container for trim removal system
Communication module:	alternatively Ethernet module or 56 k modem (enabling a remote maintenance and reducing service cost)
Special belt:	Conveyor belt designed for round products
Height adjustment:	manually adjustable sealing bars, height adjustment by 20 mm increments up to 80 mm (standard height: 40 mm)
Power supply:	special voltage and/or frequency

Technical modifications reserved.
All WEBOMATIC machines fulfil the valid European regulations according to CE, EMC, DIN-GOST.

© WEBOMATIC 03/2009. All rights reserved.



Packaging is our passion



WEBOMATIC has been developing vacuum packaging machinery for more than 50 years.

High-quality technology made in Germany
WEBOMATIC machines have successfully proven their values worldwide in almost all areas of packaging, especially if the optimum vacuum packaging of easily perishable food, sterile cosmetic and medical equipment or high sensible industrial products is concerned.

Convincing product features

- first-class processing
- high-quality materials and components
- easy operation
- longevity
- reliability
- servicefriendly

Small and big solutions. For workshops and industry, for the food and non-food application.

From the WEBOMATIC location in Bochum everything is realized starting with the development up to the worldwide dispatch: Our engineers develop continuously innovative ideas and constructive solutions and details concerning the high-quality machines, which are produced on a modern production area amounting to more than 8.500 m² equipped with the most sophisticated production techniques. Comprehensive technical and application orientated know-how, the ubiquitous use high-quality materials from well-known branded construction parts of efficient and reliable suppliers are the guarantee for the first class WEBOMATIC quality.

WEBOMATIC offers the whole range of modern vacuum packaging, standard vacuum packaging machines, complete shrink lines and tray sealers up to high-tech thermoforming machines. WEBOMATIC machines correspond in material, technique and design to the latest state-of-the-art.

Quality is our success.



WEBOMATIC®

Maschinenfabrik GmbH
Hansastr. 119
44866 Bochum/Germany

Telephone +49 (0) 2327-3099-0
Telefax +49 (0) 2327-3099-29
info@webomatic.de
www.webomatic.de